



Электрические каменки

Технические характеристики

По вопросам продаж и поддержки обращайтесь:

Архангельск (8182)63-90-72	Иваново (4932)77-34-06	Магнитогорск (3519)55-03-13	Пермь (342)205-81-47	Сургут (3462)77-98-35
Астана +7(7172)727-132	Ижевск (3412)26-03-58	Москва (495)268-04-70	Ростов-на-Дону (863)308-18-15	Тверь (4822)63-31-35
Астрахань (8512)99-46-04	Казань (843)206-01-48	Мурманск (8152)59-64-93	Рязань (4912)46-61-64	Томск (3822)98-41-53
Барнаул (3852)73-04-60	Калининград (4012)72-03-81	Набережные Челны (8552)20-53-41	Самара (846)206-03-16	Тула (4872)74-02-29
Белгород (4722)40-23-64	Калуга (4842)92-23-67	Нижний Новгород (831)429-08-12	Санкт-Петербург (812)309-46-40	Тюмень (3452)66-21-18
Брянск (4832)59-03-52	Кемерово (3842)65-04-62	Новокузнецк (3843)20-46-81	Саратов (845)249-38-78	Ульяновск (8422)24-23-59
Владивосток (423)249-28-31	Киров (8332)68-02-04	Новосибирск (383)227-86-73	Севастополь (8692)22-31-93	Уфа (347)229-48-12
Волгоград (844)278-03-48	Краснодар (861)203-40-90	Омск (3812)21-46-40	Симферополь (3652)67-13-56	Хабаровск (4212)92-98-04
Вологда (8172)26-41-59	Красноярск (391)204-63-61	Орел (4862)44-53-42	Смоленск (4812)29-41-54	Челябинск (351)202-03-61
Воронеж (473)204-51-73	Курск (4712)77-13-04	Оренбург (3532)37-68-04	Сочи (862)225-72-31	Череповец (8202)49-02-64
Екатеринбург (343)384-55-89	Липецк (4742)52-20-81	Пенза (8412)22-31-16	Ставрополь (8652)20-65-13	Ярославль (4852)69-52-93

Fonda DET & Fonda ST

TECHNICAL SPECIFICATIONS

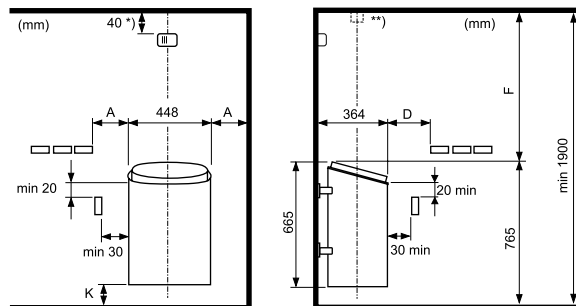
HEATER	HEATING POWER (kW)	SAUNA SIZE (m ³)	STONE VOLUME (kg)	DIM. (WXHXD) (MM)	CONTROL UNIT OPTIONS	MOUNTING
Fonda DET/ST 4.4	4.4	4 - 6	20	448 x 665 x 364	2/Built in*	Wall/floor
Fonda DET/ST 6.6	6.6	5 - 9	20	448 x 665 x 364	2/Built in*	Wall/floor
Fonda DET/ST 8.0	8.0	8 - 12	20	448 x 665 x 364	2/Built in*	Wall/floor

Extras: Legs may be ordered separately.

***Controls:** Fonda DET uses the T1 or EC50 control units. Fonda ST has built-in control.

SAFETY DISTANCES

HEATER	SIDE A-MEASURE (MM)	FRONT D-MEASURE (MM)	BACK (MM)	ABOVE F-MEASURE (MM)	BELOW K-MEASURE (MM)
Fonda DET/ST 4.4	50	50	-	1135	100
Fonda DET/ST 6.6	50	50	-	1135	100
Fonda DET/ST 8.0	50	50	-	1135	100



Fonda Duo

TECHNICAL SPECIFICATIONS

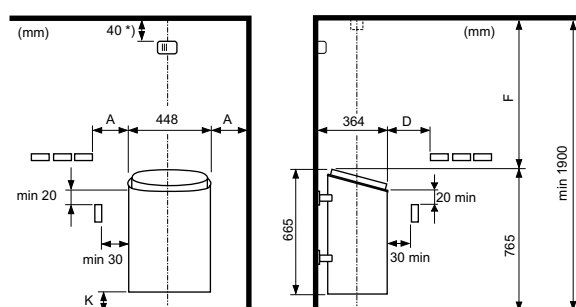
HEATER	HEATING POWER (kW)	SAUNA SIZE (m ³)	STONE VOLUME (kg)	DIM. (WXHXD) (MM)	CONTROL UNIT OPTIONS	MOUNTING
Fonda Duo 4.4	4.4	4 - 6	20	448 x 665 x 364	1*	Wall/floor
Fonda Duo 6.6	6.6	5 - 9	20	448 x 665 x 364	1*	Wall/floor
Fonda Duo 8.0	8.0	8 - 12	20	448 x 665 x 364	1*	Wall/floor

Extras: Legs may be ordered separately.

***Controls:** T2 included with the heater.

SAFETY DISTANCES

HEATER	SIDE A-MEASURE (MM)	FRONT D-MEASURE (MM)	BACK (MM)	ABOVE F-MEASURE (MM)	BELOW K-MEASURE (MM)
Fonda Duo 4.4	50	50	-	1135	100
Fonda Duo 6.6	50	50	-	1135	100
Fonda Duo 8.0	50	50	-	1135	100



Cava

TECHNICAL SPECIFICATIONS

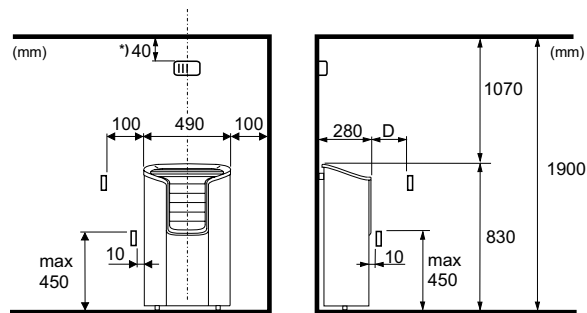
HEATER	HEATING POWER (kW)	SAUNA SIZE (m ³)	STONE VOLUME (kg)	DIM. (WXHXD) (MM)	CONTROL UNIT OPTIONS	MOUNTING
60 DE/DET	6.0	5 - 10	30 + 15	490 x 830 x 280	4/2*	Floor/Bench
90 DE/DET	9.0	9 - 13	30 + 15	490 x 830 x 280	4/2*	Floor/Bench

Extras: Soapstone collar.

***Controls:** Model DE: Easy, Midi, Digi I, Digi II. Model DET: T1, EC50.

SAFETY DISTANCES

HEATER	SIDE (MM)	FRONT D-MEASURE (MM)	BACK (MM)	ABOVE (MM)	BELOW (MM)
60 DE/DET	100	300	-	1070	-
90 DE/DET	100	350	-	1070	-



Fusion

TECHNICAL SPECIFICATIONS

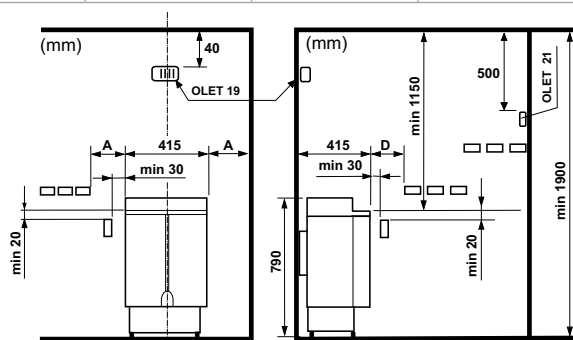
HEATER	HEATING POWER (kW)	SAUNA SIZE (m ³)	STONE VOLUME (kg)	DIM. (WXHXD) (MM)	CONTROL UNIT OPTIONS	MOUNTING
Fusion 60	6.0	5 - 9	23	415 x 790 x 415	1*	Floor/Bench
Fusion 80	8.0	8 - 12	23	415 x 790 x 415	1*	Floor/Bench
Fusion 90	9.0	9 - 13	23	415 x 790 x 415	1*	Floor/Bench

Extras: Kit for auto-filling of the tank.

***Controls:** Included with the heater.

SAFETY DISTANCES

HEATER	SIDE A-MEASURE (MM)	FRONT D-MEASURE (MM)	BACK (MM)	ABOVE (MM)	BELOW (MM)
Fusion 60	70	100	-	1150	-
Fusion 80	100	150	-	1150	-
Fusion 90	100	150	-	1150	-



Saunatonnttu

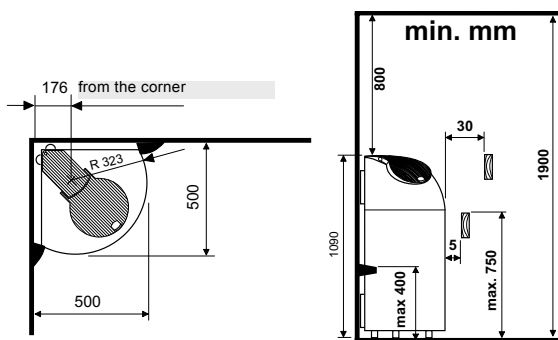
TECHNICAL SPECIFICATIONS

HEATER	HEATING POWER (kW)	SAUNA SIZE (m ³)	STONE VOLUME (kg)	Dim. (WxHxD) (MM)	CONTROL UNIT OPTIONS	MOUNTING
Saunatonnttu 3	3.4	3 - 8	100	500 x 1090 x 500	1*	Floor/Bench
Saunatonnttu 4	4.8	5 - 11	100	500 x 1090 x 500	1*	Floor/Bench
Saunatonnttu 6	6.4	7 - 14	100	500 x 1090 x 500	1*	Floor/Bench
Saunatonnttu 8	8.0	9 - 17	100	500 x 1090 x 500	1*	Floor/Bench

*Controls: Included with the heater.

SAFETY DISTANCES

HEATER	SIDE (MM)	FRONT (MM)	BACK (MM)	ABOVE (MM)	BELOW (MM)
Saunatonnttu 3	30	30	-	800	-
Saunatonnttu 4	30	30	-	800	-
Saunatonnttu 6	30	30	-	800	-
Saunatonnttu 8	30	30	-	800	-



Rondo

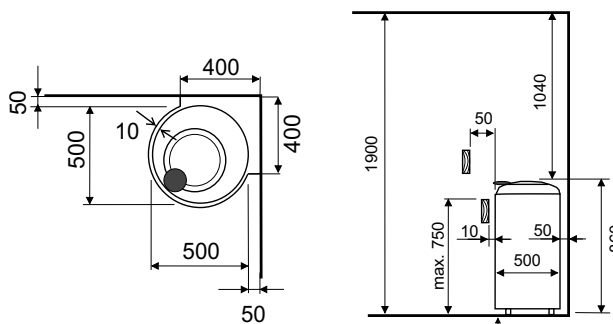
TECHNICAL SPECIFICATIONS

HEATER	HEATING POWER (kW)	SAUNA SIZE (m ³)	STONE VOLUME (kg)	Dim. (WxHxD) (MM)	CONTROL UNIT OPTIONS	MOUNTING
Rondo 450	4.5	5 - 8	90	500 x 860 x 500	1*	Floor/Bench
Rondo 650	6.5	7 - 13	90	500 x 860 x 500	1*	Floor/Bench
Rondo 960	9.6	10 - 18	90	500 x 860 x 500	1*	Floor/Bench

*Controls: Included with the heater.

SAFETY DISTANCES

HEATER	SIDE (MM)	FRONT (MM)	BACK (MM)	ABOVE (MM)	BELOW (MM)
Rondo 450	10	10	50	1040	-
Rondo 650	10	10	50	1040	-
Rondo 960	10	10	50	1040	-



Taika

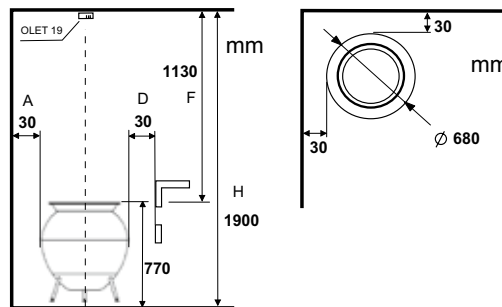
TECHNICAL SPECIFICATIONS

HEATER	HEATING POWER (kW)	SAUNA SIZE (m ³)	STONE VOLUME (kg)	Dim. (WxHxD) (MM)	CONTROL UNIT OPTIONS	MOUNTING
Taika 80	8.0	8 - 13	65	680 x 770 x 680	1*	Floor
Taika 100	9.9	9 - 15	65	680 x 770 x 680	1*	Floor
Taika 120	12.0	10 - 18	65	680 x 770 x 680	1*	Floor

*Controls: Smart with WE 11 contactor box.

SAFETY DISTANCES

HEATER	SIDE (MM)	FRONT (MM)	BACK (MM)	ABOVE (MM)	BELOW (MM)
Taika 80	30	30	30	1130	-
Taika 100	30	30	30	1130	-
Taika 120	30	30	30	1130	-



Rocher

TECHNICAL SPECIFICATIONS

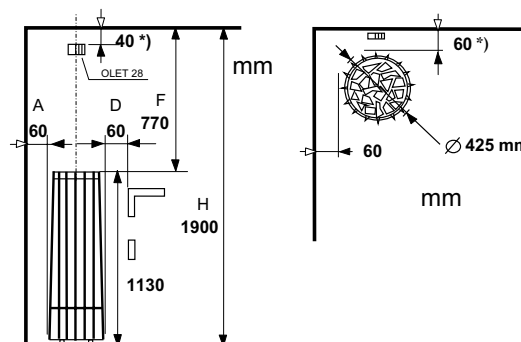
HEATER	HEATING POWER (kW)	SAUNA SIZE (m ³)	STONE VOLUME (kg)	Dim. (WxHxD) (MM)	CONTROL UNIT OPTIONS	MOUNTING
70 D/DE/DET	6.8	5 - 9	100	425 x 1130 x 425	4/4/2*	Floor/Bench
105 D/DE/DET	10.5	9 - 15	100	425 x 1130 x 425	4/4/2*	Floor/Bench

Extras: Soapstone collar, glass collar (satin) and chrome collar.

*Controls: Models D/DE: Easy, Midi, Digi I, Digi II. Model DET: T1, EC50.

SAFETY DISTANCES

HEATER	SIDE (MM)	FRONT (MM)	BACK (MM)	ABOVE (MM)	BELOW (MM)
70 D/DE/DET	60	60	60	770	-
105 D/DE/DET	60	60	60	770	-



Pikkutonnttu

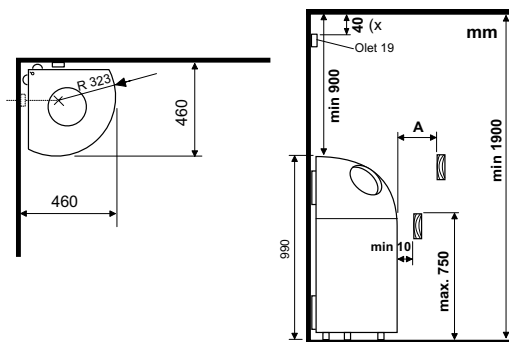
TECHNICAL SPECIFICATIONS

HEATER	HEATING POWER (kW)	SAUNA SIZE (m ³)	STONE VOLUME (kg)	Dim. (WxHxD) (MM)	CONTROL UNIT OPTIONS	MOUNTING
45 DE	4.5	3 - 6	80	460 x 990 x 460	4*	Floor/Bench
65 DE	6.5	5 - 10	80	460 x 990 x 460	4*	Floor/Bench
90 DE	9.0	9 - 14	80	460 x 990 x 460	4*	Floor/Bench

*Controls: Easy, Midi, Digi I, Digi II.

SAFETY DISTANCES

HEATER	SIDE A-MEASURE (MM)	FRONT A-MEASURE (MM)	BACK (MM)	ABOVE (MM)	BELOW (MM)
45 D/DE	40	40	-	900	-
65 D/DE	150	150	-	900	-
90 D/DE	150	150	-	900	-



Ringo

TECHNICAL SPECIFICATIONS

HEATER	HEATING POWER (kW)	SAUNA SIZE (m ³)	STONE VOLUME (kg)	Dim. (WxHxD) (MM)	CONTROL UNIT OPTIONS	MOUNTING
RINGO 60 STJ	6	5 - 9	70	365 x 750 x 365	*Built in	Floor
RINGO 80 STJ	8	8 - 13	70	365 x 750 x 365	*Built in	Floor
RINGO VARIO 60 STJ	6	5 - 9	70	405 x 750 x 405	*Built in	Floor
RINGO VARIO 80 STJ	8	8 - 13	70	405 x 750 x 405	*Built in	Floor
RINGO ROBUST 60 STJ	6	5 - 9	70	397 x 755 x 397	*Built in	Floor
RINGO ROBUST 80 STJ	8	8 - 13	70	397 x 755 x 397	*Built in	Floor

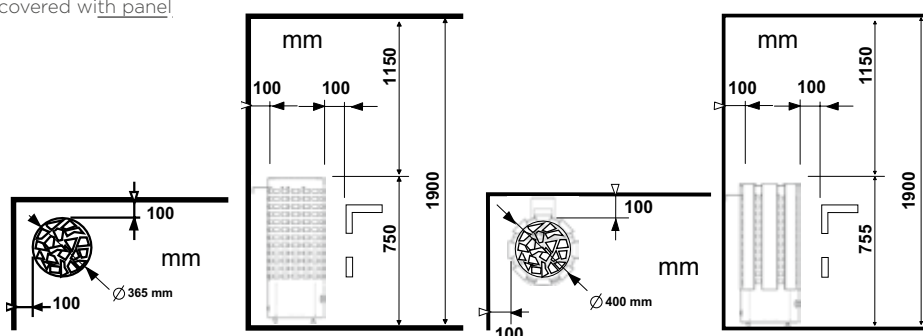
*Controls: Built-in control.

SAFETY DISTANCES

HEATER	SIDE (MM)	FRONT (MM)	BACK (MM)	ABOVE (MM)	BELOW (MM)
RINGO 60 STJ	100	100	100	1150	-
RINGO 80 STJ	100	100	100	1150	-
RINGO VARIO 60 STJ	100/30**	100/30**	100/30**	1150	-
RINGO VARIO 80 STJ	100/30**	100/30**	100/30**	1150	-
RINGO ROBUST 60 STJ	100	100	100	1150	-
RINGO ROBUST 80 STJ	100	100	100	1150	-



** 30 mm where covered with panel!



Ring Wall

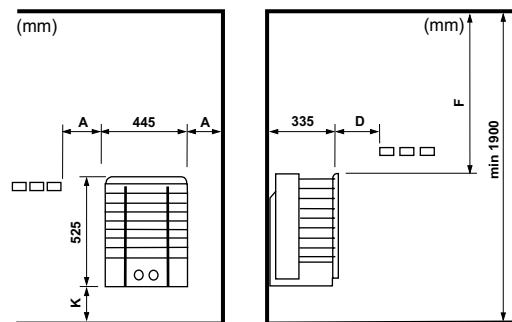
TECHNICAL SPECIFICATIONS

HEATER	HEATING POWER (kW)	SAUNA SIZE (m ³)	STONE VOLUME (kg)	Dim. (WxHxD) (MM)	CONTROL UNIT OPTIONS	MOUNTING
Ring Wall 45 D/STJ	4.5	4 - 6	37	445 x 525 x 335	4/Built in*	Wall
Ring Wall 60 D/STJ	6.0	5 - 9	37	445 x 525 x 335	4/Built in*	Wall
Ring Wall 80 D/STJ	8.0	8 - 13	37	445 x 525 x 335	4/Built in*	Wall

*Controls: Models D: Easy, Midi, Digi I or Digi II with separate contactor box. Models STJ: built-in control.

SAFETY DISTANCES

HEATER	SIDE A-MEASURE (MM)	FRONT D-MEASURE (MM)	BACK (MM)	ABOVE F-MEASURE (MM)	BELOW K-MEASURE (MM)
Ring Wall 45 D/STJ	50	50	-	1200	120
Ring Wall 60 D/STJ	70	70	-	1250	120
Ring Wall 80 D/STJ	100	100	-	1250	120



Roxx

TECHNICAL SPECIFICATIONS

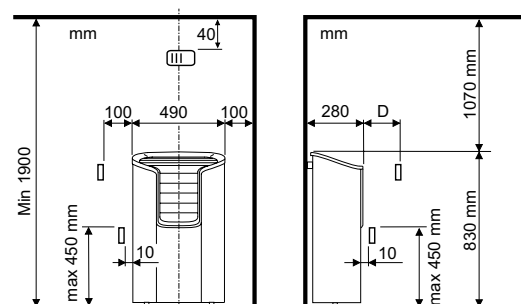
HEATER	HEATING POWER (kW)	SAUNA SIZE (m ³)	STONE VOLUME (kg)	Dim. (WxHxD) (MM)	CONTROL UNIT OPTIONS	MOUNTING
60 DE/DET	6.0	5 - 10	38	490 x 830 x 280	4/2*	Floor/Bench
90 DE/DET	9.0	9 - 13	38	490 x 830 x 280	4/2*	Floor/Bench

Extras: Soapstone collar.

*Controls: Model DE: Easy, Midi, Digi I, Digi II. Model DET: T1, EC50.

SAFETY DISTANCES

HEATER	SIDE (MM)	FRONT D-MEASURE (MM)	BACK (MM)	ABOVE (MM)	BELOW (MM)
60 DE/DET	100	300	-	1070	-
90 DE/DET	100	350	-	1070	-



Saga Electro

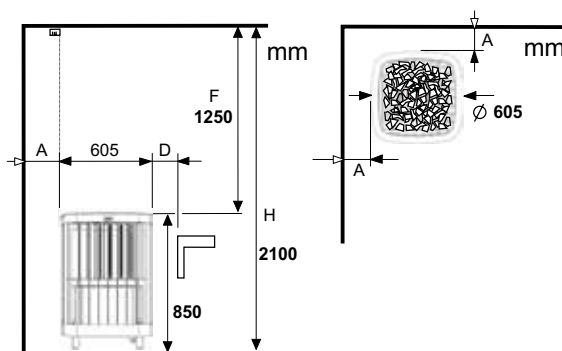
TECHNICAL SPECIFICATIONS

HEATER	HEATING POWER (kW)	SAUNA SIZE (m ³)	STONE VOLUME (kg)	Dim. (WxHxD) (MM)	CONTROL UNIT OPTIONS	MOUNTING
SAGA E 160 D	16	16 - 30	200	605 x 850 x 605	1*	Floor/Bench
SAGA E 200 D	20	20 - 40	200	605 x 850 x 605	1*	Floor/Bench
SAGA E 240 D	24	24 - 50	200	605 x 850 x 605	1*	Floor/Bench

*Controls: T2 with contactor box We 14.

SAFETY DISTANCES

HEATER	SIDE A-MEASURE (MM)	FRONT D-MEASURE (MM)	BACK A-MEASURE (MM)	ABOVE (MM)	BELOW (MM)
SAGA E 160 D	100	100	100	1250	-
SAGA E 200 D	100	100	100	1250	-
SAGA E 240 D	150	150	150	1250	-



Vienna

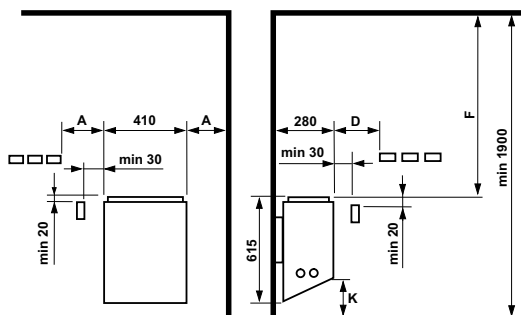
TECHNICAL SPECIFICATIONS

HEATER	HEATING POWER (kW)	SAUNA SIZE (m ³)	STONE VOLUME (kg)	Dim. (WxHxD) (MM)	CONTROL UNIT OPTIONS	MOUNTING
HELO VIENNA 45 STS	4.5	3 - 6	12	410 x 615 x 280	*Built in	Wall
HELO VIENNA 60 STS	6.0	5 - 9	12/20	410 x 615 x 280	*Built in	Wall
HELO VIENNA 80 STS	8.0	8 - 12	20	410 x 615 x 280	*Built in	Wall

*Controls: Built-in control unit

SAFETY DISTANCES

HEATER	SIDE A-MEASURE (MM)	FRONT D-MEASURE (MM)	BACK (MM)	ABOVE F-MEASURE (MM)	BELOW K-MEASURE (MM)
HELO VIENNA 45 STS	40	60	-	1200	110
HELO VIENNA 60 STS	60	80	-	1200	110
HELO VIENNA 80 STS	80	100	-	1200	110



Havanna

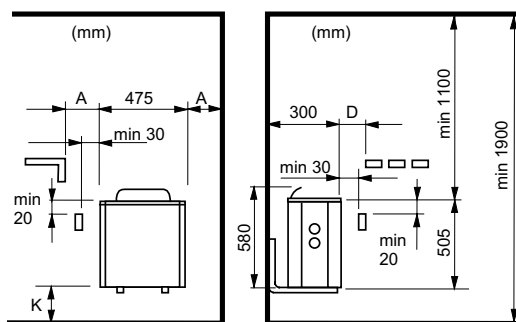
TECHNICAL SPECIFICATIONS

HEATER	HEATING POWER (kW)	SAUNA SIZE (m ³)	STONE VOLUME (kg)	Dim. (WxHxD) (MM)	CONTROL UNIT OPTIONS	MOUNTING
Havanna 45 STS	4.5	3 - 6	20/28	475 x 580 x 300	*Built in	Wall
Havanna 60 STS	6.0	5 - 9	20/28/35	475 x 580 x 300	*Built in	Wall
Havanna 80 STS	8.0	8 - 12	20/28/35	475 x 580 x 300	*Built in	Wall
Havanna 90 STS	9.0	9 - 13	20/28/35	475 x 580 x 300	*Built in	Wall

*Controls: Built-in control unit

SAFETY DISTANCES

HEATER	SIDE A-MEASURE (MM)	FRONT D-MEASURE (MM)	BACK (MM)	ABOVE (MM)	BELOW K-MEASURE (MM)
Havanna 45 STS	40	80	-	1100	120
Havanna 60 STS	45	100	-	1100	120
Havanna 80 STS	75	130	-	1100	150
Havanna 90 STS	80	150	-	1100	150



Mini SA

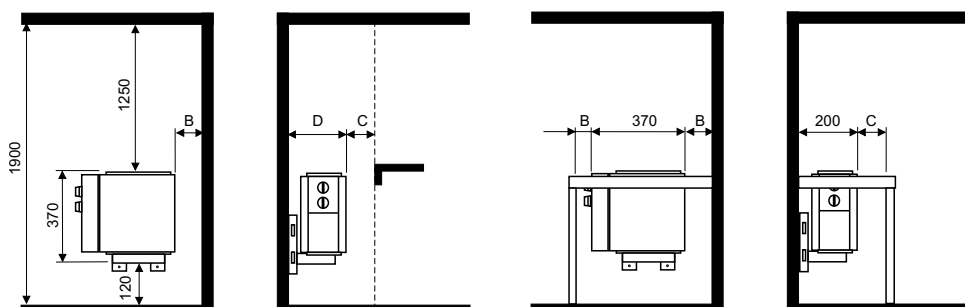
TECHNICAL SPECIFICATIONS

HEATER	HEATING POWER (kW)	SAUNA SIZE (m ³)	STONE VOLUME (kg)	Dim. (WxHxD) (MM)	CONTROL UNIT OPTIONS	MOUNTING
Mini SA 30 T	3.0	2 - 4	10	370 x 370 x 200	Built in*	Wall

*Controls: Built-in control unit.

SAFETY DISTANCES

HEATER	SIDE B-MEASURE (MM)	FRONT C-MEASURE (MM)	BACK D-MEASURE (MM)	ABOVE (MM)	BELOW K-MEASURE (MM)
Mini SA 30 T	30	60	200	1250	120



Junior

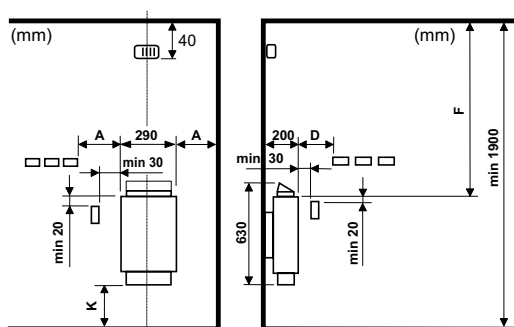
TECHNICAL SPECIFICATIONS

HEATER	HEATING POWER (kW)	SAUNA SIZE (m ³)	STONE VOLUME (kg)	Dim. (WxHxD) (MM)	CONTROL UNIT OPTIONS	MOUNTING
Junior 30	3.0	2 - 4	10	290 x 630 x 200	1*	Wall

*Controls: Included with the heater.

SAFETY DISTANCES

HEATER	SIDE A-MEASURE (MM)	FRONT D-MEASURE (MM)	BACK (MM)	ABOVE F-MEASURE (MM)	BELOW K-MEASURE (MM)
Junior 30	50	120	-	1200	120



Cup

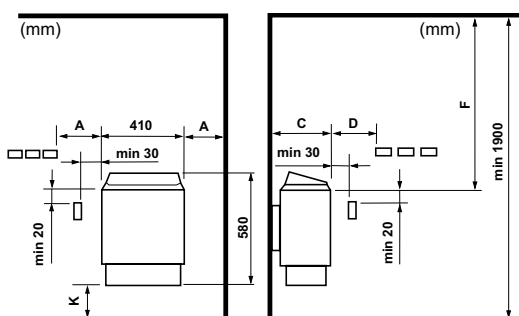
TECHNICAL SPECIFICATIONS

HEATER	HEATING POWER (kW)	SAUNA SIZE (m ³)	STONE VOLUME (kg)	Dim. (WxHxD) (MM)	CONTROL UNIT OPTIONS	MOUNTING
Cup 45 D/STJ	4.5	3 - 6	15	410 x 580 x 280	3/built in*	Wall
Cup 60 D/STJ	6.0	5 - 9	23	410 x 580 x 280	3/built in*	Wall
Cup 80 D/STJ	8.0	8 - 13	23	410 x 580 x 300	3/built in*	Wall
Cup 90 D/STJ	9.0	9 - 14	23	410 x 580 x 300	3/built in*	Wall

*Controls: Models D: OT 2 PS-1 (1-phase), OT 2 PS-3 (3-phase) and OT 2 PLE. Models STJ: built-in control.

SAFETY DISTANCES

HEATER	SIDE A-MEASURE (MM)	FRONT D-MEASURE (MM)	BACK (MM)	ABOVE F-MEASURE (MM)	BELOW K-MEASURE (MM)
Cup 45 D/STJ	50	80	-	1200	120
Cup 60 D/STJ	70	100	-	1250	120
Cup 80 D/STJ	100	150	-	1250	120
Cup 90 D/STJ	100	200	-	1250	120



Himalaya

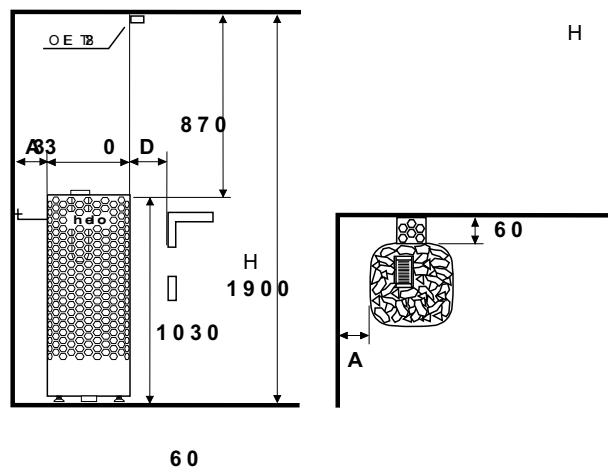
TECHNICAL SPECIFICATIONS

HEATER	HEATING POWER (kW)	SAUNA SIZE (m ²)	STONE VOLUME (kg)	Dim. (WxHxD) (MM)	CONTROL UNIT OPTIONS	MOUNTING
HIMALAYA 70 DES	6,8	5 - 9	100	330 x 1020 x 330	1*	Floor/Bench
HIMALAYA 105 DES	10,5	9 - 15	100	330 x 1020 x 330	1*	Floor/Bench

*Controls: Trend control unit included with the heater.

SAFETY DISTANCES

HEATER	SIDE A-MEASURE (MM)	FRONT D-MEASURE (MM)	BACK (MM)	ABOVE (MM)	BELOW K-MEASURE (MM)
HIMALAYA 70 DES	60	60	60	880	-
HIMALAYA 105 DES	60	60	60	880	-



Klima Vita

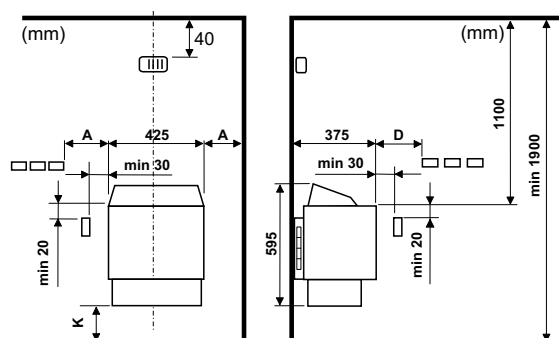
TECHNICAL SPECIFICATIONS

HEATER	HEATING POWER (kW)	SAUNA SIZE (m ²)	STONE VOLUME (kg)	Dim. (WxHxD) (MM)	CONTROL UNIT OPTIONS	MOUNTING
Klima Vita 60	6.0	5 - 9 ^A	23	425 x 595 x 375	1*	Wall
Klima Vita 80	8.0	7 - 12	23	425 x 595 x 375	1*	Wall
Klima Vita 90	9.0	8 - 13	23	425 x 595 x 375	1*	Wall

*Controls: OT 2 PLD.

SAFETY DISTANCES

HEATER	SIDE A-MEASURE (MM)	FRONT D-MEASURE (MM)	BACK (MM)	ABOVE (MM)	BELOW K-MEASURE (MM)
Klima Vita 60	60	100	-	1100	180
Klima Vita 80	120	180	-	1100	180
Klima Vita 90	120	180	-	1100	180



Laava

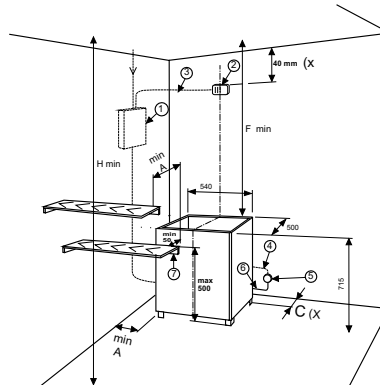
TECHNICAL SPECIFICATIONS

HEATER	HEATING POWER (kW)	SAUNA SIZE (m ³)	STONE VOLUME (kg)	Dim. (WxHxD) (MM)	CONTROL UNIT OPTIONS	MOUNTING
901	9.0	8 - 13	60	540 x 715 x 500	5*	Floor
1051	10.5	9 - 15	60	540 x 715 x 500	5*	Floor
1201	12.0	10 - 18	60	540 x 715 x 500	5*	Floor
1501	15.0	14 - 24	60	540 x 715 x 500	5*	Floor

*Controls: Digi I or Digi II with contactor box WE 4. T2 with contactor box WE 14. OK 33 PS-3. OK 33 PUi with week timer EK 5 P

SAFETY DISTANCES

HEATER	SIDE A-MEASURE (MM)	FRONT A-MEASURE (MM)	BACK C-MEASURE (MM)	ABOVE F-MEASURE (MM)	BELOW (MM)
901	80	80	110	1200	-
1051	80	80	110	1200	-
1201	120	120	120	1400	-
1501	120	120	120	1400	-



(X) = The specified measurement is an absolute requirement, no deviation allowed

Magma

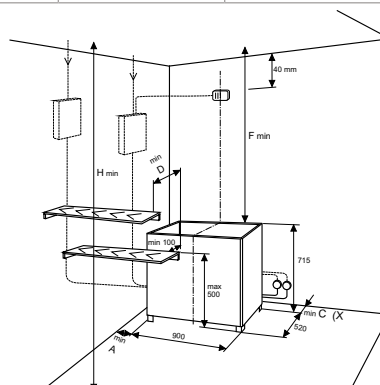
TECHNICAL SPECIFICATIONS

HEATER	HEATING POWER (kW)	SAUNA SIZE (m ³)	STONE VOLUME (kg)	Dim. (WxHxD) (MM)	CONTROL UNIT OPTIONS	MOUNTING
MAGMA 181	18.0	18 - 30	120	900 x 715 x 520	5*	Floor
MAGMA 210	21.0	24 - 36	120	900 x 715 x 520	5*	Floor
MAGMA 260	26.0	30 - 46	120	900 x 715 x 520	5*	Floor

*Controls: Digi I or Digi II with contactor box WE 5. T2 with contactor box WE 14. OT 22 PS-3 with contactor box WE 1. OT 22 PUi with contactor box WE1 and week timer EK 5 P.

SAFETY DISTANCES

HEATER	SIDE A-MEASURE (MM)	FRONT D-MEASURE (MM)	BACK C-MEASURE (MM)	ABOVE F-MEASURE (MM)	BELOW (MM)
MAGMA 181	140	160	160	1400	-
MAGMA 210	140	160	160	1400	-
MAGMA 260	140	160	160	1500	-



(X) = The specified measurement is an absolute requirement, no deviation allowed

SKLE

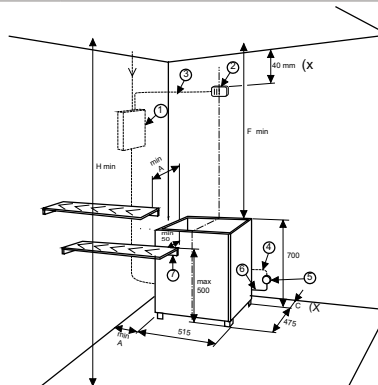
TECHNICAL SPECIFICATIONS

HEATER	HEATING POWER (kW)	SAUNA SIZE (m ³)	STONE VOLUME (kg)	Dim. (WxHxD) (MM)	CONTROL UNIT OPTIONS	MOUNTING
SKLE 90	9.0	8 - 13	60	510 x 700 x 475	5*	Floor
SKLE 105	10.5	9 - 15	60	510 x 700 x 475	5*	Floor
SKLE 120	12.0	10 - 18	60	510 x 700 x 475	5*	Floor
SKLE 150	15.0	14 - 24	60	510 x 700 x 475	5*	Floor

*Controls: Digi I or Digi II with contactor box WE 4. T2 with contactor box WE 14. OK 33 PS-3. OK 33 PUi with week timer EK 5 P.

SAFETY DISTANCES

HEATER	SIDE A-MEASURE (MM)	FRONT A-MEASURE (MM)	BACK C-MEASURE (MM)	ABOVE F-MEASURE (MM)	BELOW (MM)
SKLE 90	80	80	110	1200	-
SKLE 105	80	80	110	1200	-
SKLE 120	120	120	120	1400	-
SKLE 150	120	120	120	1400	-



(X = The specified measurement is an absolute requirement, no deviation allowed)

SKLA

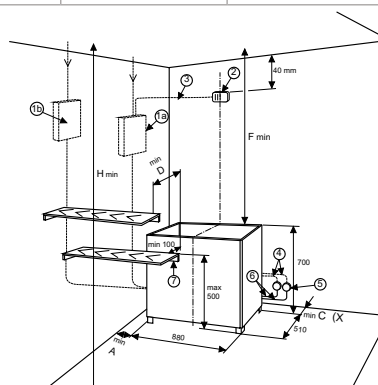
TECHNICAL SPECIFICATIONS

HEATER	HEATING POWER (kW)	SAUNA SIZE (m ³)	STONE VOLUME (kg)	Dim. (WxHxD) (MM)	CONTROL UNIT OPTIONS	MOUNTING
SKLA 181	18.0	18 - 30	120	880 x 700 x 510	5*	Floor
SKLA 210	21.0	24 - 26	120	880 x 700 x 510	5*	Floor
SKLA 260	26.0	30 - 46	120	895 x 700 x 520	3*	Floor
SKLA 262	26.0	30 - 46	120	880 x 700 x 510	2*	Floor

*Controls: Digi I or Digi II with contactor box WE 5. T2 with contactor box WE 14. OT 22 PS-3 with contactor box WE 1. OT 22 PUi with contactor box WE1 and week timer EK 5 P.

SAFETY DISTANCES

HEATER	SIDE A-MEASURE (MM)	FRONT D-MEASURE (MM)	BACK C-MEASURE (MM)	ABOVE F-MEASURE (MM)	BELOW (MM)
SKLA 181	140	160	160	1400	-
SKLA 210	140	160	160	1400	-
SKLA 260/262	140	160	160	1500	-



Octa

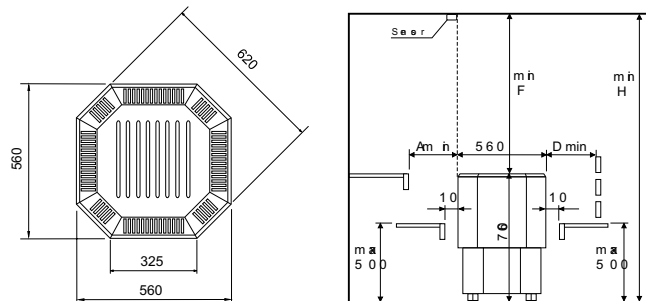
TECHNICAL SPECIFICATIONS

HEATER	HEATING POWER (kW)	SAUNA SIZE (m ³)	STONE VOLUME (kg)	Dim. (WxHxD) (MM)	CONTROL UNIT OPTIONS	MOUNTING
Octa 901	9	8 - 13	60	560 x 760 x 560	3*	Floor
Octa 1051	10.5	9 - 15	60	560 x 760 x 560	3*	Floor
Octa 1201	12.0	10 - 18	60	560 x 760 x 560	3*	Floor
Octa 1501	15.0	14 - 24	60	560 x 760 x 560	3*	Floor

*Controls: Digi I or Digi II with contactor box WE 4. T2 with contactor box WE 14.

SAFETY DISTANCES

HEATER	SIDE A-MEASURE (MM)	FRONT D-MEASURE (MM)	BACK (MM)	ABOVE F-MEASURE (MM)	BELOW (MM)
Octa 901	25	25	25	1150	-
Octa 1051	25	25	25	1150	-
Octa 1201	65	65	65	1350	-
Octa 1501	65	65	65	1350	-



Seidankivi

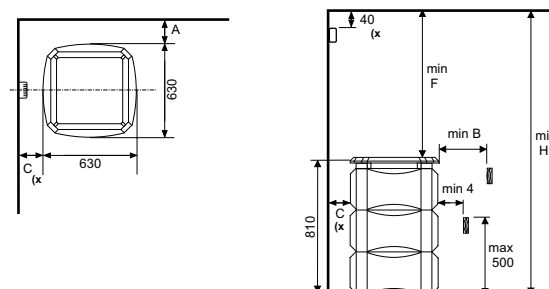
TECHNICAL SPECIFICATIONS

HEATER	HEATING POWER (kW)	SAUNA SIZE (m ³)	STONE VOLUME (kg)	Dim. (WxHxD) (MM)	CONTROL UNIT OPTIONS	MOUNTING
SEITA 902	9.0	8 - 13	60	630 x 810 x 630	2*	Floor
SEITA 1052	10.5	9 - 15	60	630 x 810 x 630	2*	Floor
SEITA 1202	12.0	10 - 18	60	630 x 810 x 630	2*	Floor
SEITA 1502	15.0	14 - 24	60	630 x 810 x 630	2*	Floor

*Controls: Digi I or Digi II with contactor box WE 4. T2 with contactor box WE 14.

SAFETY DISTANCES

HEATER	SIDE A-MEASURE (MM)	FRONT B-MEASURE (MM)	BACK C-MEASURE (MM) ABSOLUTE	ABOVE F-MEASURE (MM)	BELOW (MM)
SEITA 902	40	40	40	1090	-
SEITA 1052	40	40	40	1090	-
SEITA 1202	40	65	40	1290	-
SEITA 1502	40	65	40	1290	-





По вопросам продаж и поддержки обращайтесь:

Архангельск (8182)63-90-72	Иваново (4932)77-34-06	Магнитогорск (3519)55-03-13	Пермь (342)205-81-47	Сургут (3462)77-98-35
Астана +7(7172)727-132	Ижевск (3412)26-03-58	Москва (495)268-04-70	Ростов-на-Дону (863)308-18-15	Тверь (4822)63-31-35
Астрахань (8512)99-46-04	Казань (843)206-01-48	Мурманск (8152)59-64-93	Рязань (4912)46-61-64	Томск (3822)98-41-53
Барнаул (3852)73-04-60	Калининград (4012)72-03-81	Набережные Челны (8552)20-53-41	Самара (846)206-03-16	Тула (4872)74-02-29
Белгород (4722)40-23-64	Калуга (4842)92-23-67	Нижний Новгород (831)429-08-12	Санкт-Петербург (812)309-46-40	Тюмень (3452)66-21-18
Брянск (4832)59-03-52	Кемерово (3842)65-04-62	Новокузнецк (3843)20-46-81	Саратов (845)249-38-78	Ульяновск (8422)24-23-59
Владивосток (423)249-28-31	Киров (8332)68-02-04	Новосибирск (383)227-86-73	Севастополь (8692)22-31-93	Уфа (347)229-48-12
Волгоград (844)278-03-48	Краснодар (861)203-40-90	Омск (3812)21-46-40	Симферополь (3652)67-13-56	Хабаровск (4212)92-98-04
Вологда (8172)26-41-59	Красноярск (391)204-63-61	Орел (4862)44-53-42	Смоленск (4812)29-41-54	Челябинск (351)202-03-61
Воронеж (473)204-51-73	Курск (4712)77-13-04	Оренбург (3532)37-68-04	Сочи (862)225-72-31	Череповец (8202)49-02-64
Екатеринбург (343)384-55-89	Липецк (4742)52-20-81	Пенза (8412)22-31-16	Ставрополь (8652)20-65-13	Ярославль (4852)69-52-93

сайт: www.helo.nt-rt.ru || эл. почта: hds@nt-rt.ru